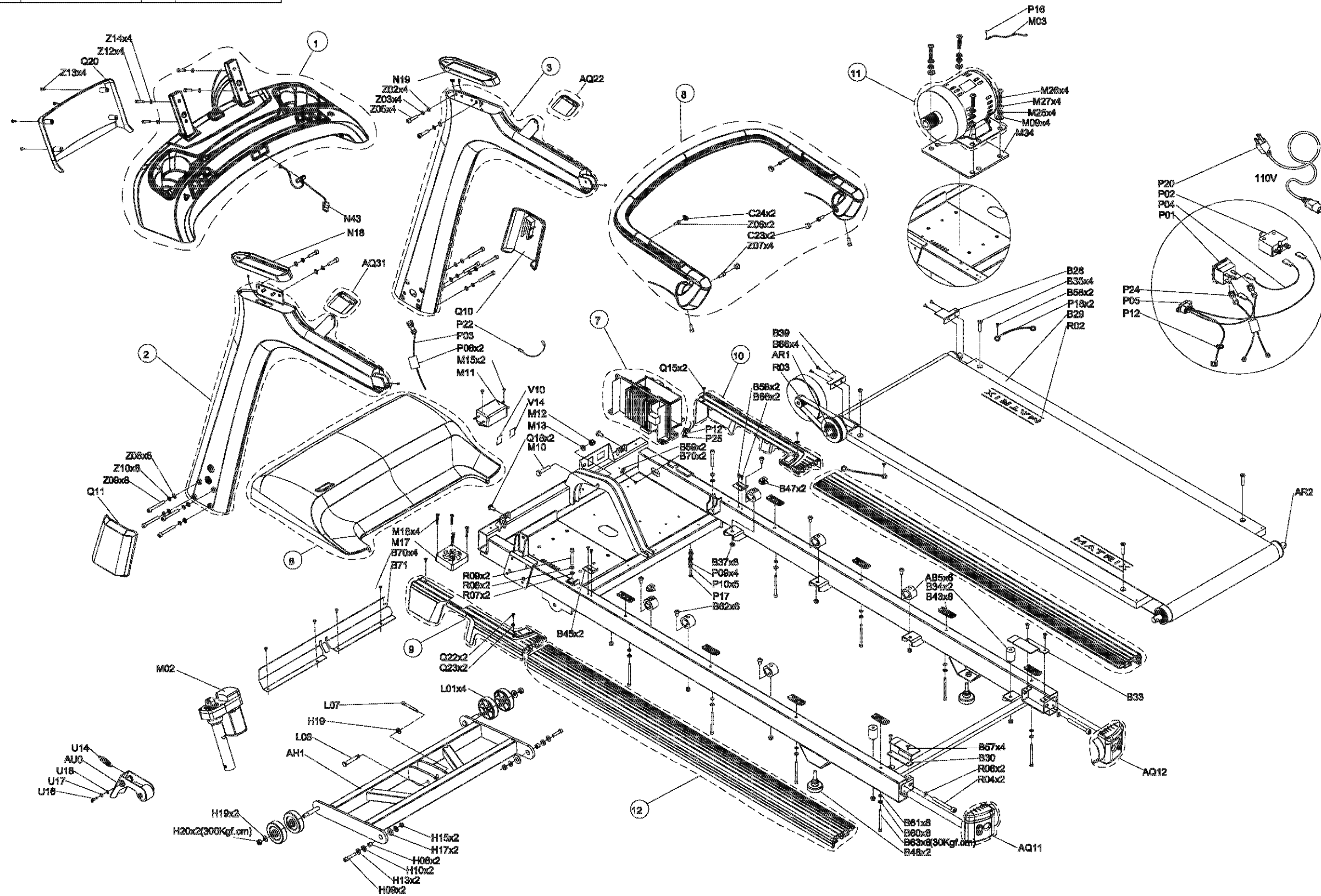
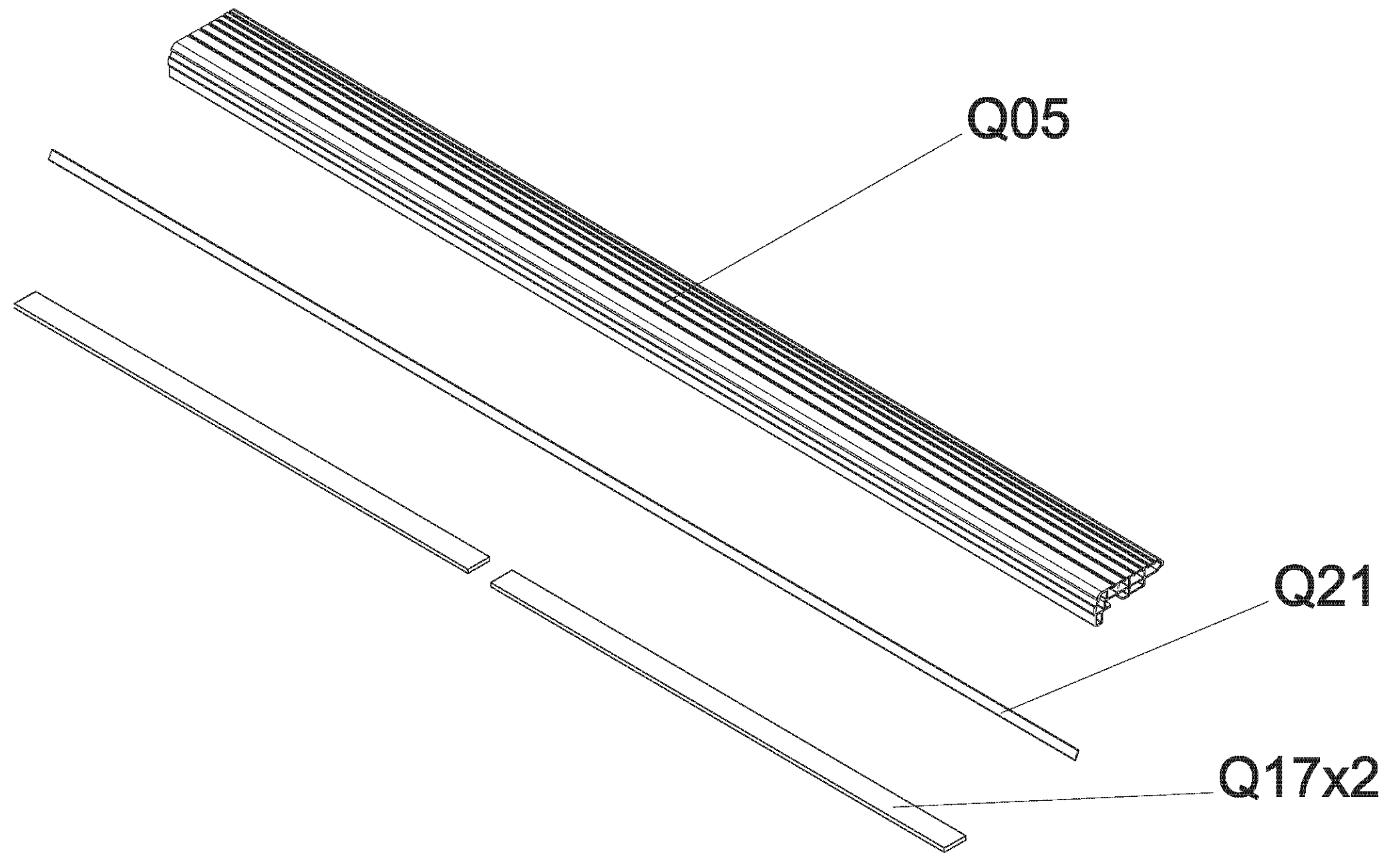


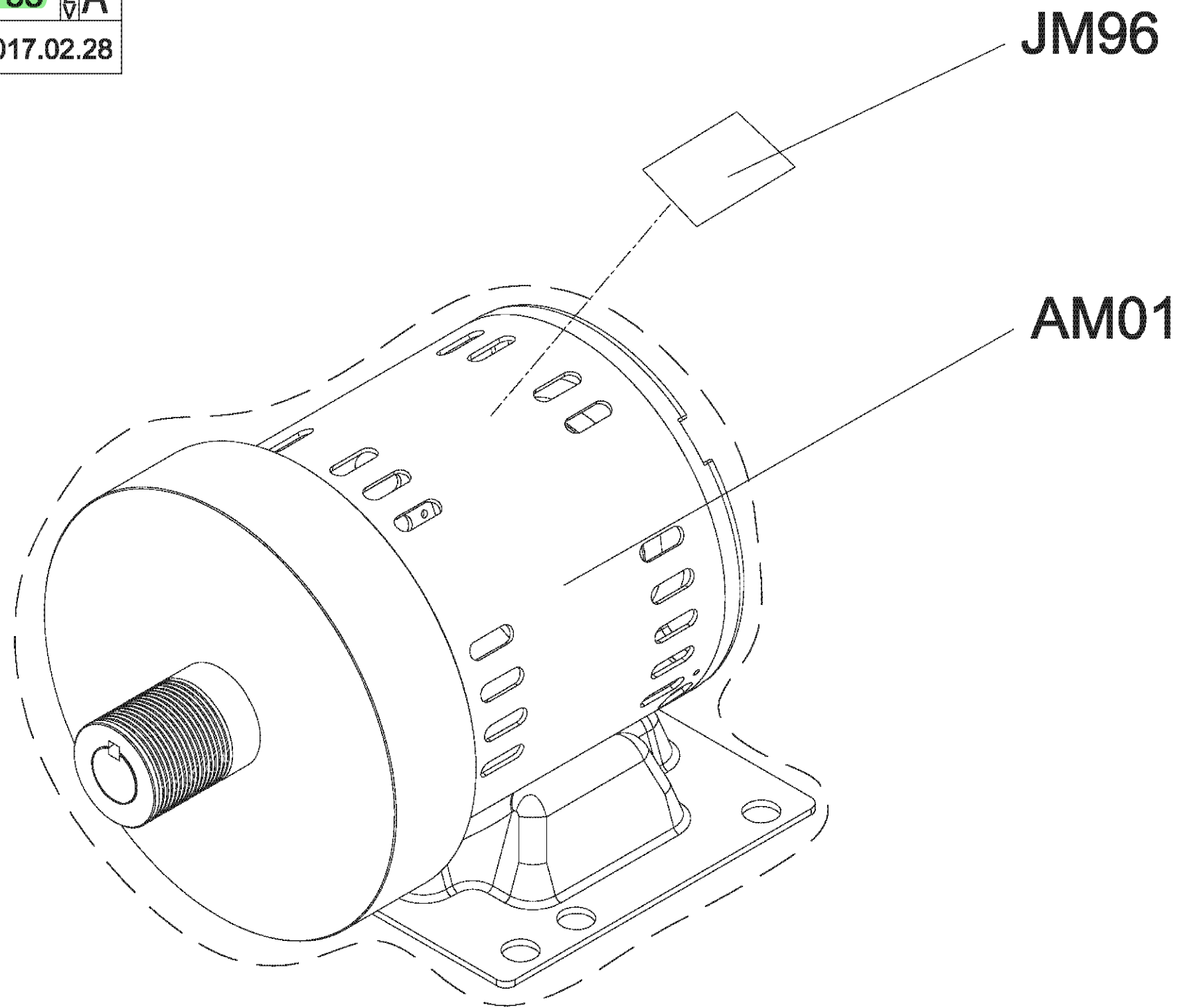
DRAWING NO	PTM727-1US-F	
PART NAME	Explosive Rendering	
PART NO	MTM0920-00	REV A
APPROVE	Harvey	DATE 2017.03.06



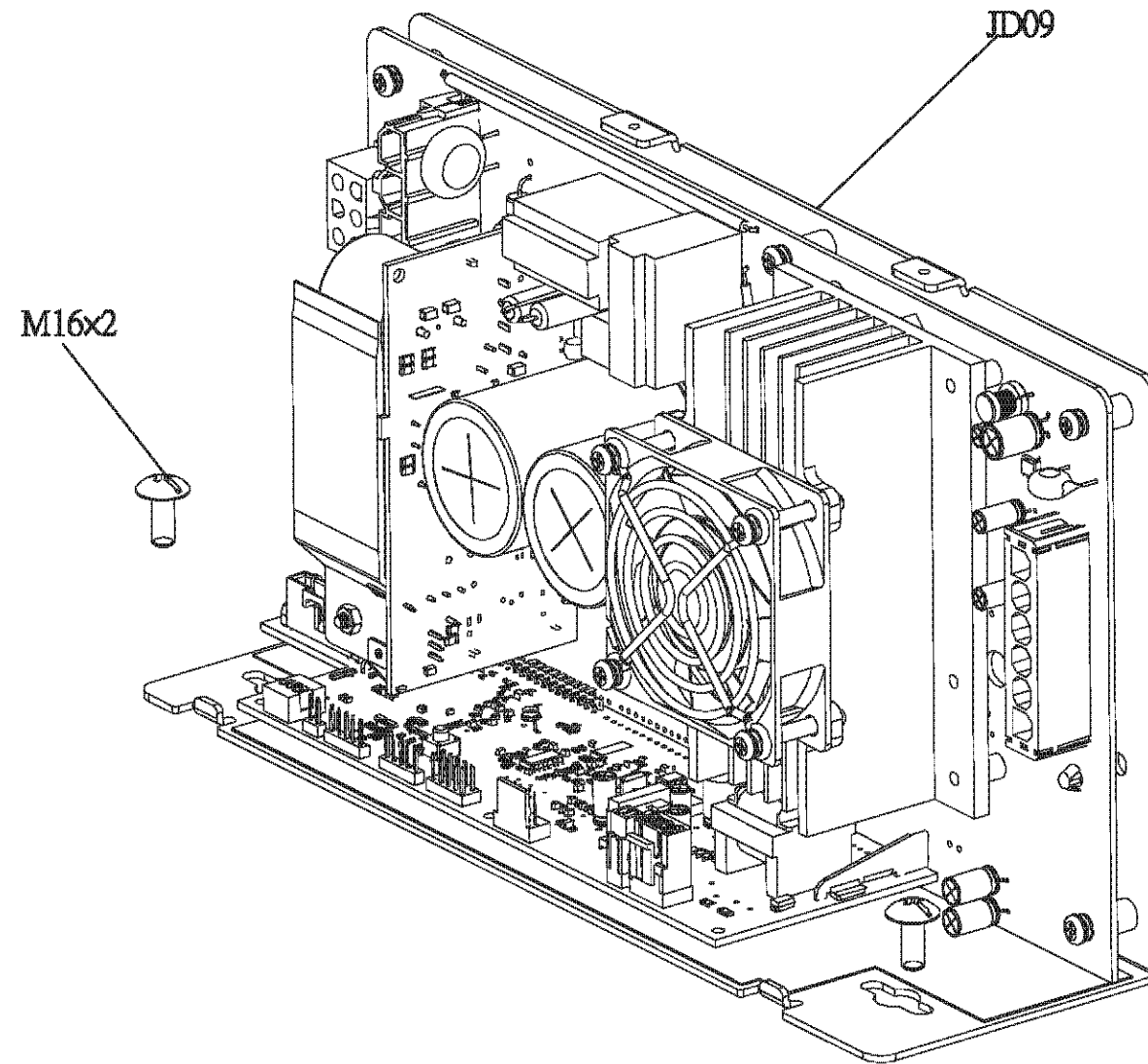
DRAWING NO	TM703-A12		
PART NAME	Side rail set		
PART NO	1000389182	REV	A
APPROVE	Harvey	DATE	2017.02.28



DRAWING NO	TM703-A11		
PART NAME	Motor set		
PART NO	1000389183	REV	A
APPROVE	Harvey	DATE	2017.02.28



DRAWING NO	TM703-A20		
PART NAME	MCB SET		
PART NO	1000441120	REV	A
APPROVE	wangyong	DATE	2019.05.05

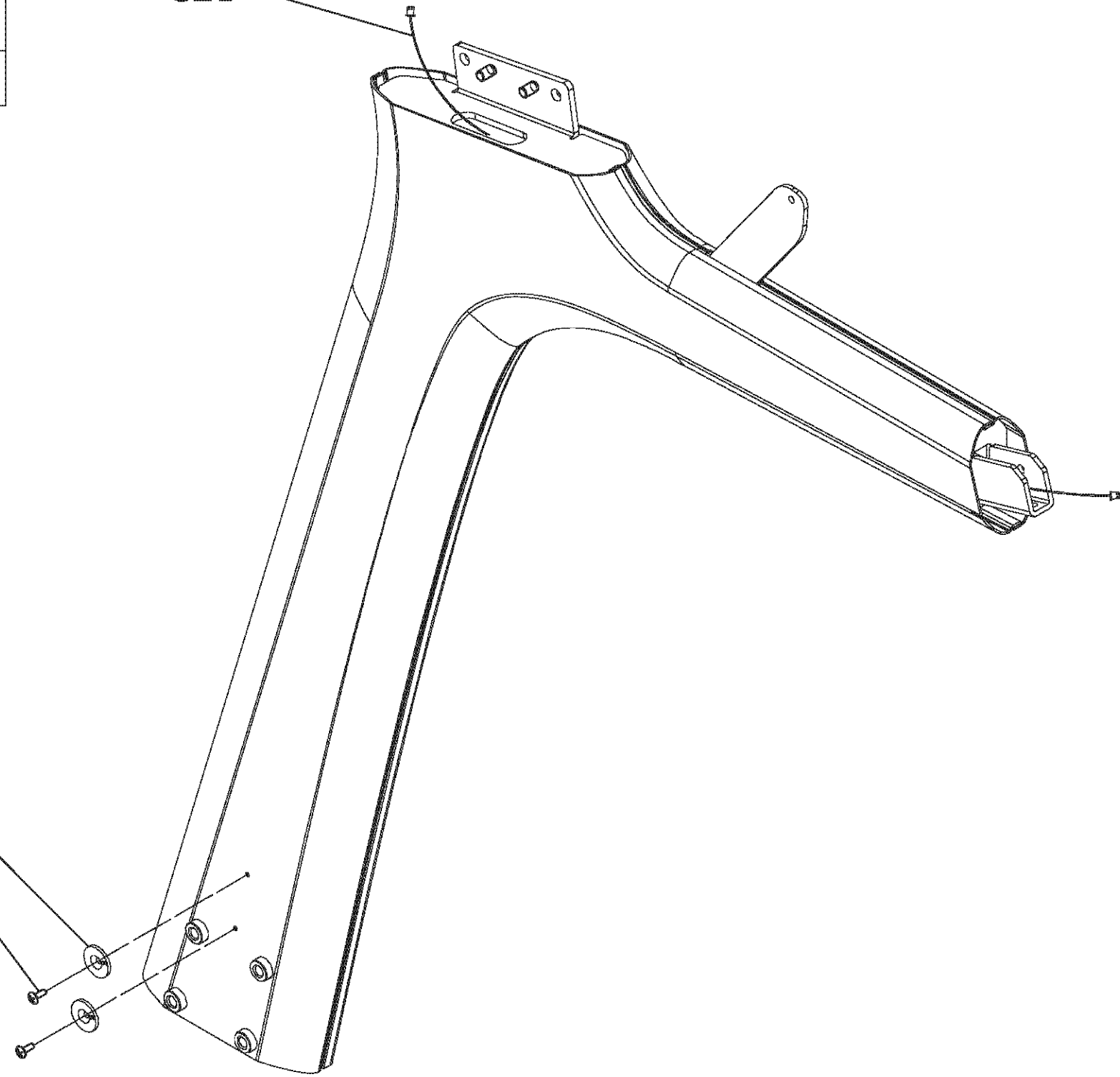


DRAWING NO	TM695-A19		
PART NAME	Console mast set		
PART NO	See Chart		REV A
APPROVE	Xiongjiawei	DATE	2016.9.13

PART NO
1000389671
1000467516

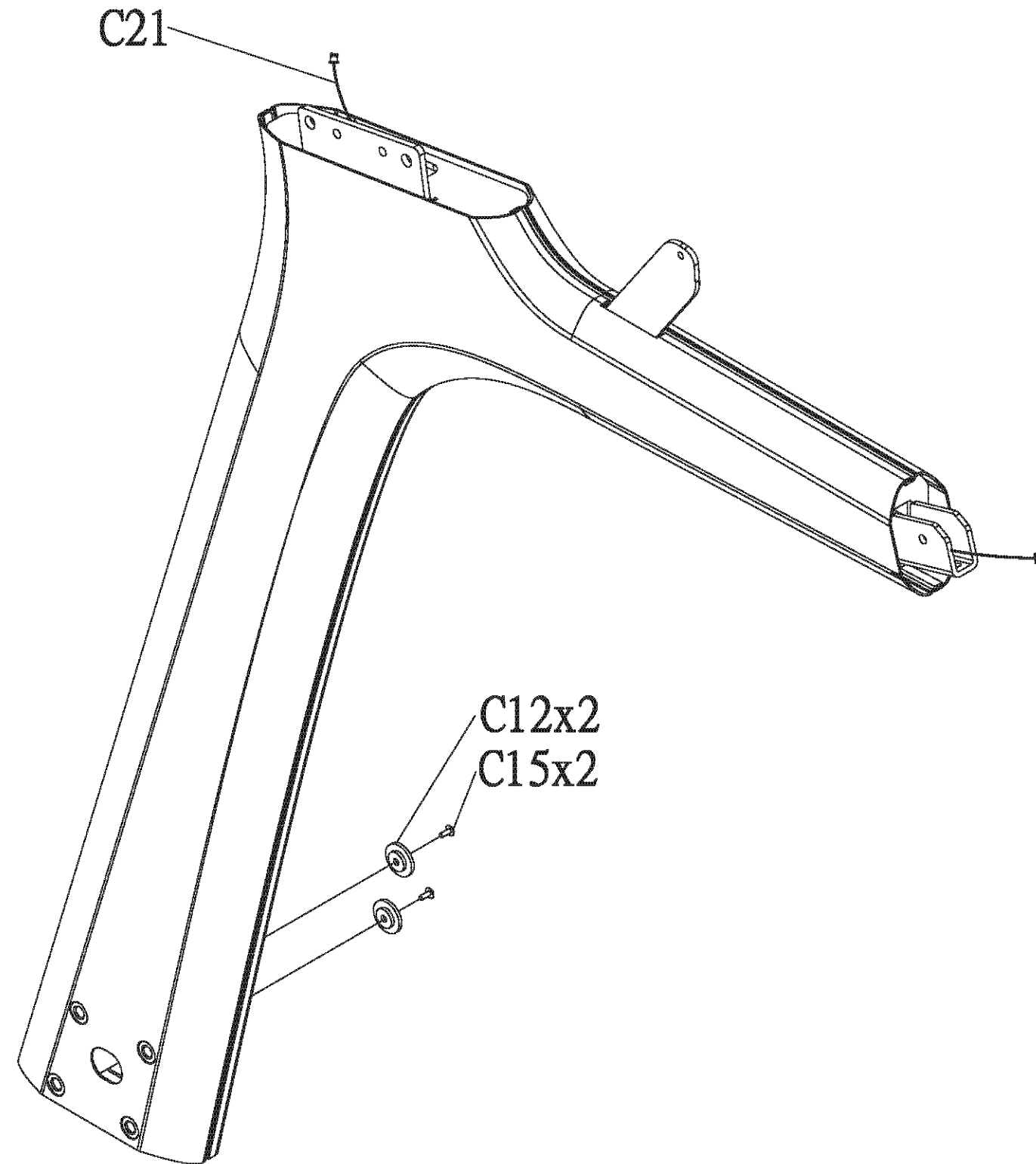
C12x2
C15x2

C21

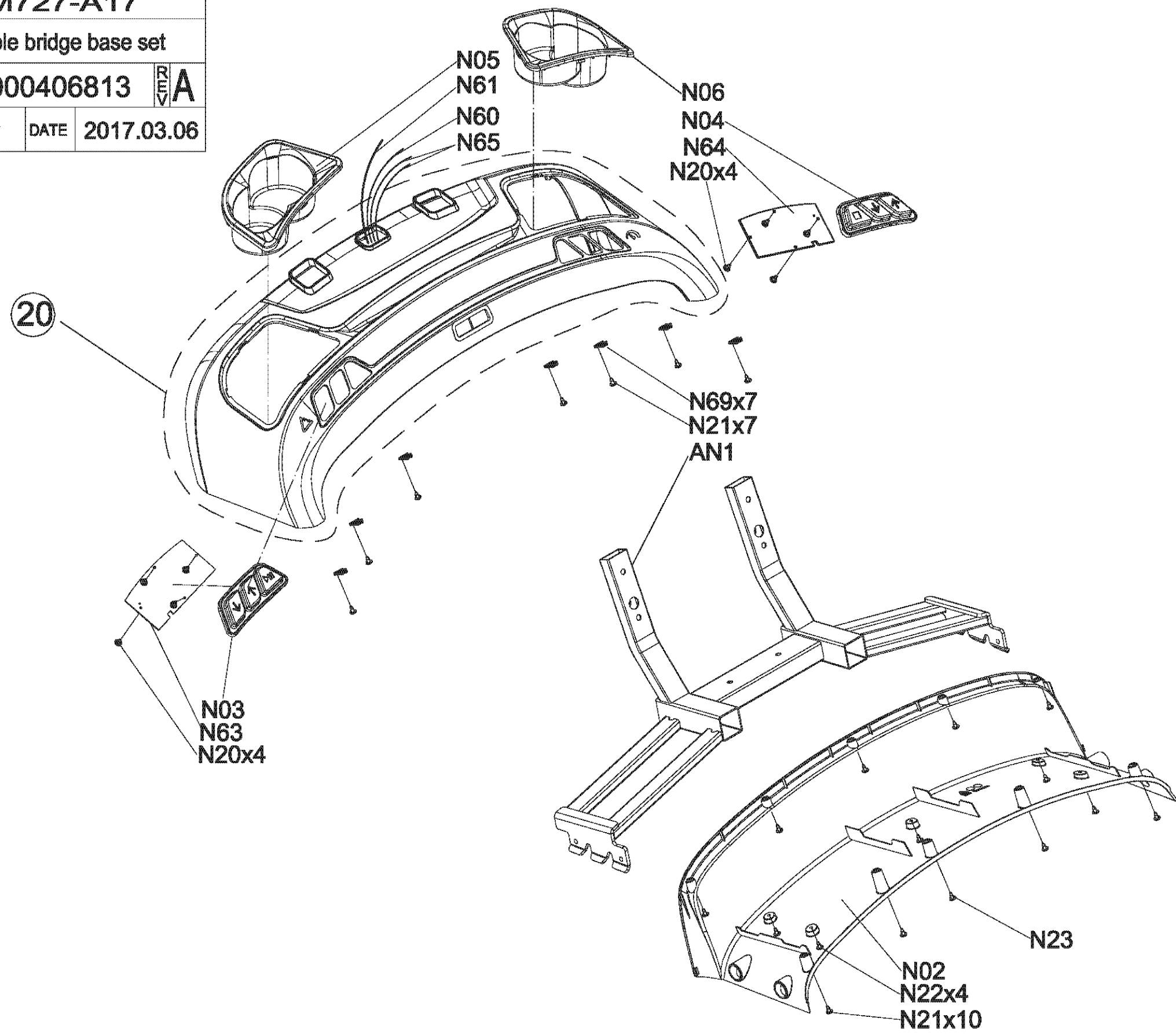


DRAWING NO	TM695-A20		
PART NAME	Console mast set		
PART NO	See Chart	REV A	
APPROVE	Mingliang Duan	DATE	2021.06.16

PART NO
1000389672
1000467517

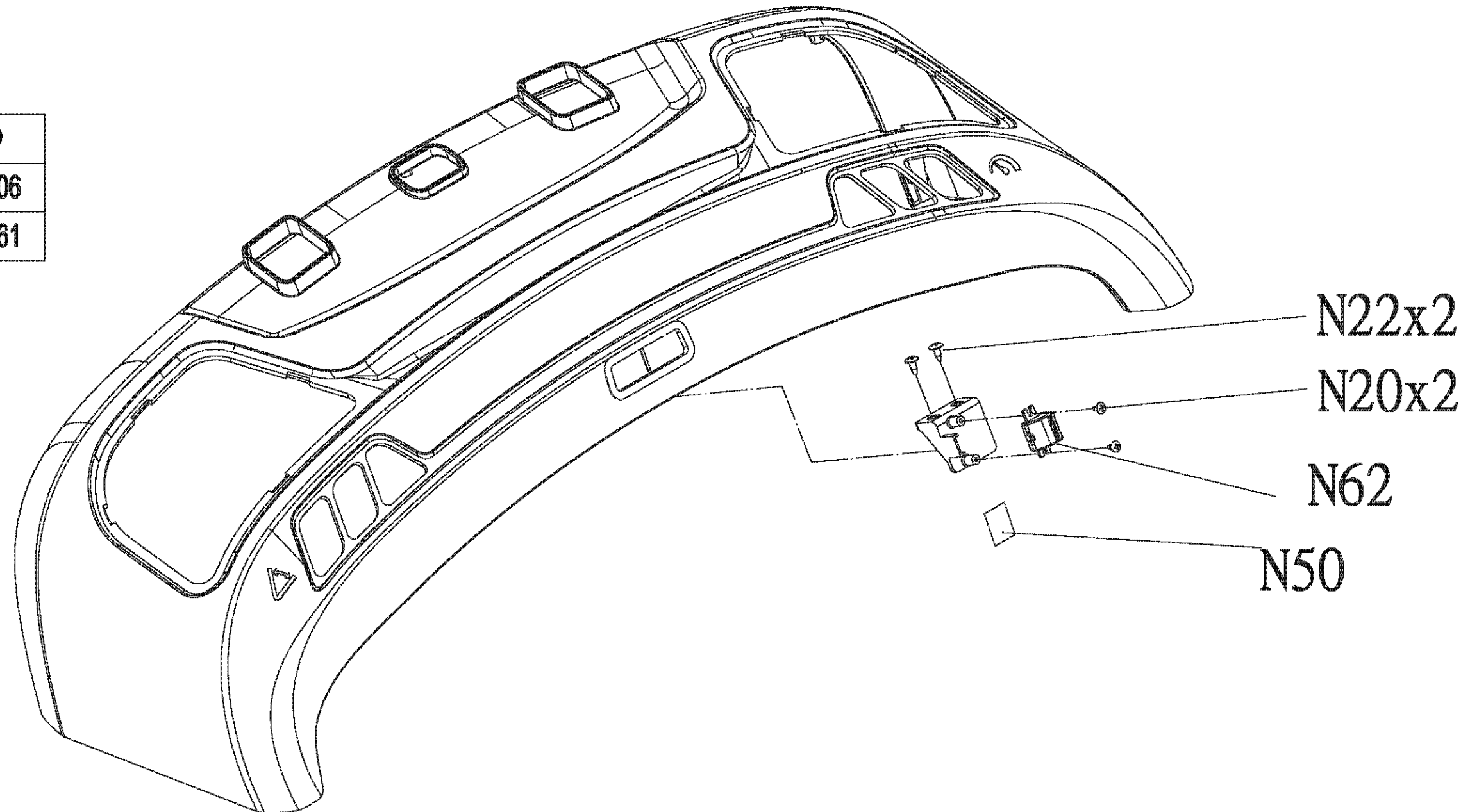


DRAWING NO	TM727-A17		
PART NAME	Console bridge base set		
PART NO	1000406813	REV	A
APPROVE	Harvey	DATE	2017.03.06



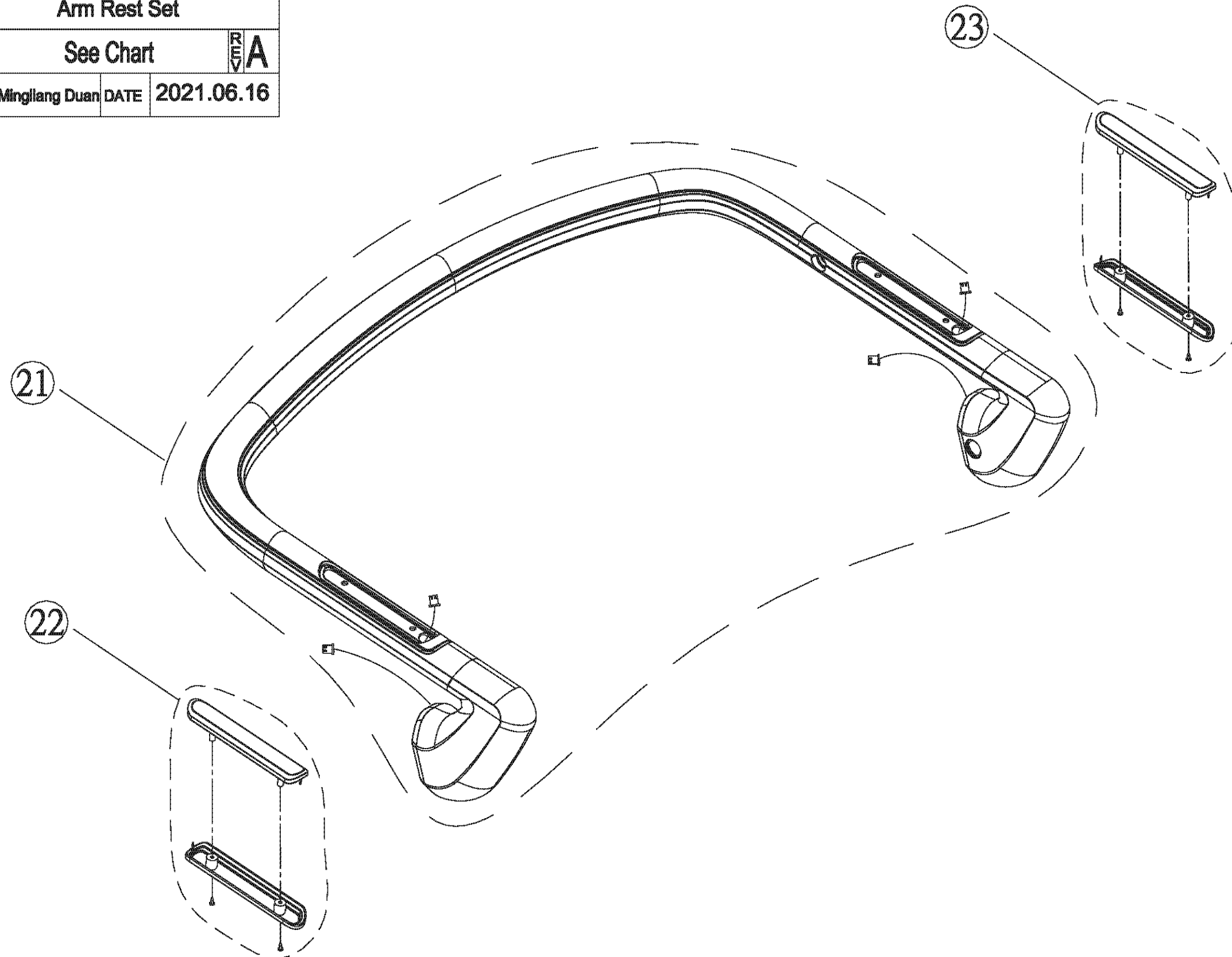
DRAWING NO	TM694-A32		
PART NAME	Console bridge plastic set		
PART NO	See Chart	REV A	
APPROVE	Mingliang Duan	DATE	2021.06.16

PART NO
1000393906
1000467561



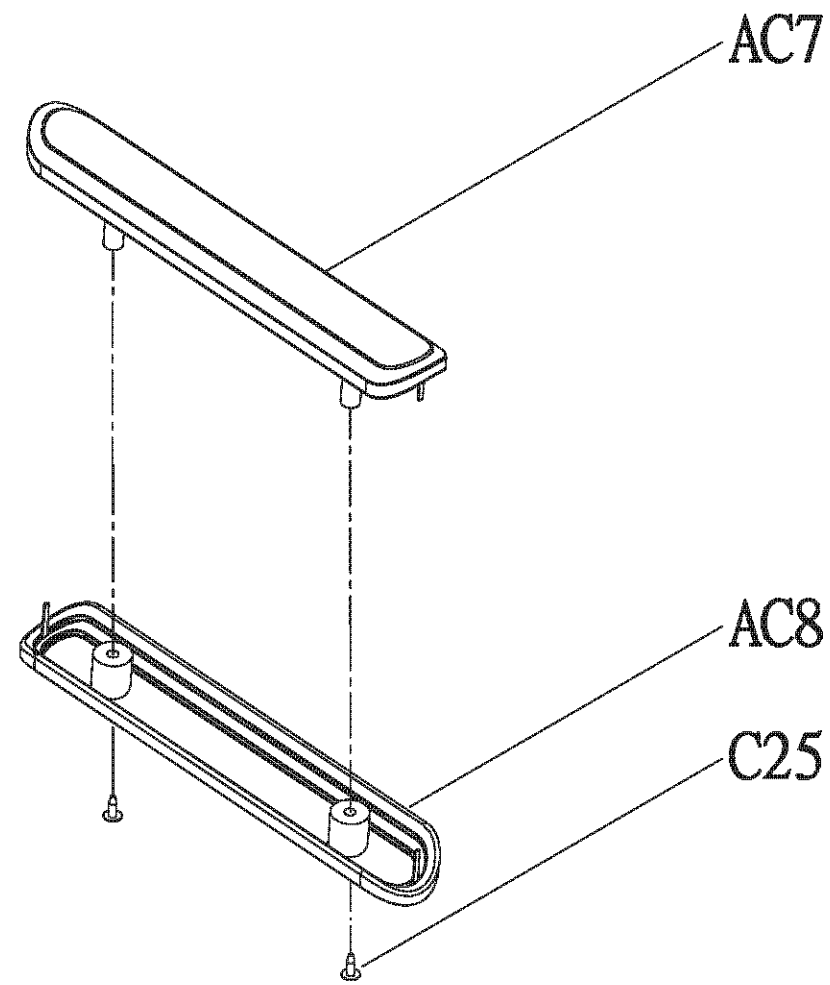
DRAWING NO	TM694-A23		
PART NAME	Arm Rest Set		
PART NO	See Chart	REV A	
APPROVE	Minglang Duan	DATE	2021.06.16

PART NO
1000389378
1000467519



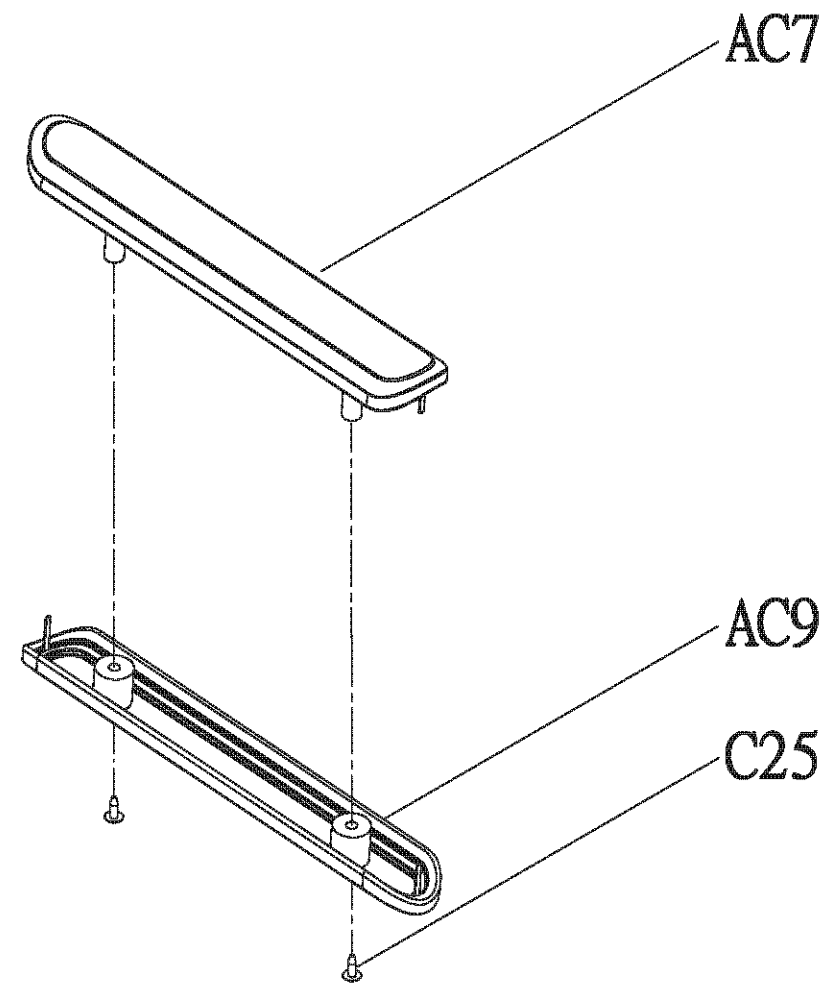
DRAWING NO	TM694-A21		
PART NAME	Pulse sensor set		
PART NO	See Chart	REV	A
APPROVE	Mingliang Duan	DATE	2021.06.16

PART NO
1000389376
1000467520

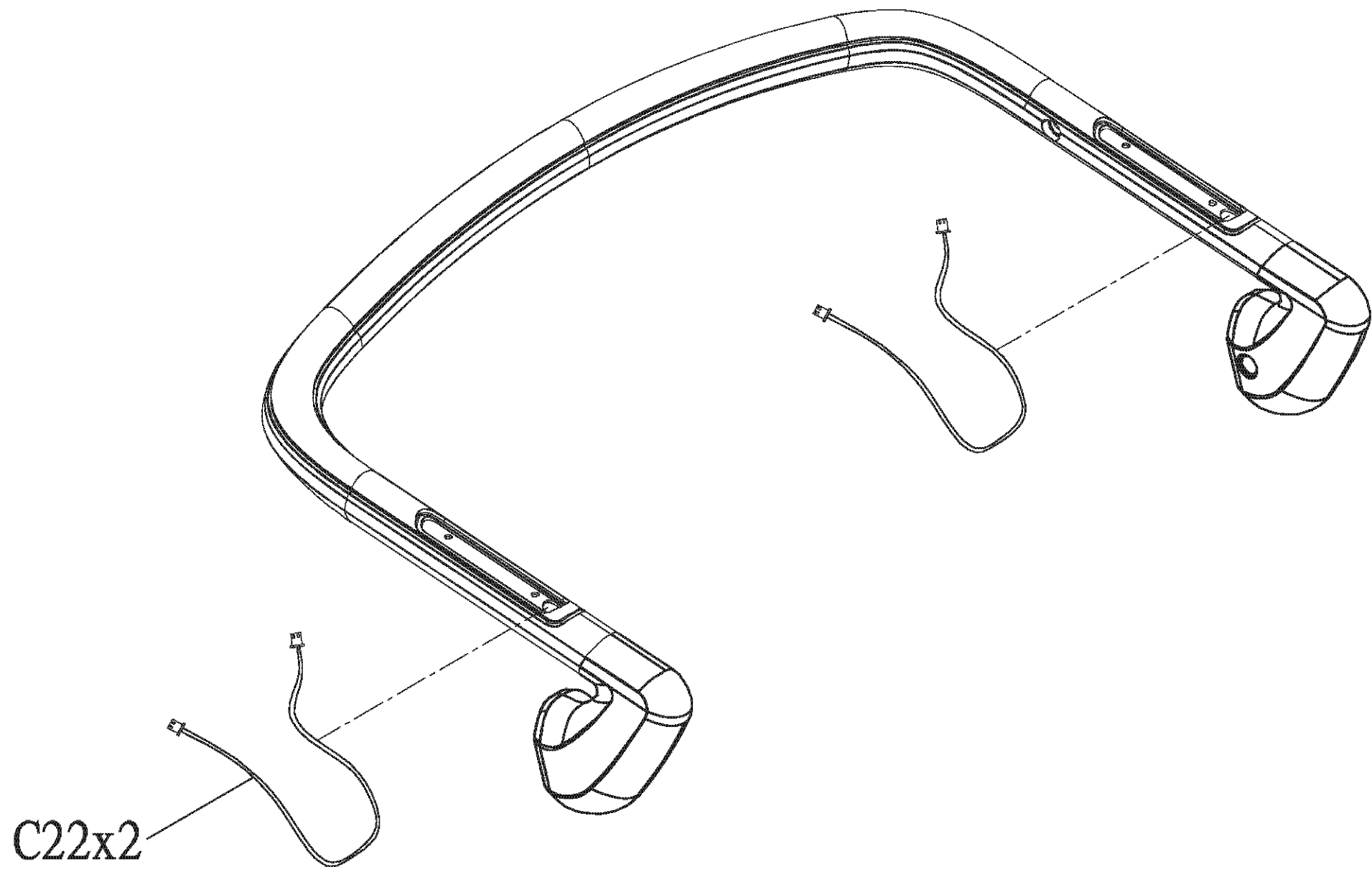


DRAWING NO	TM694-A22		
PART NAME	Pulse sensor set		
PART NO	See Chart	REV A	
APPROVE	Mingliang Duan	DATE	2021.06.16

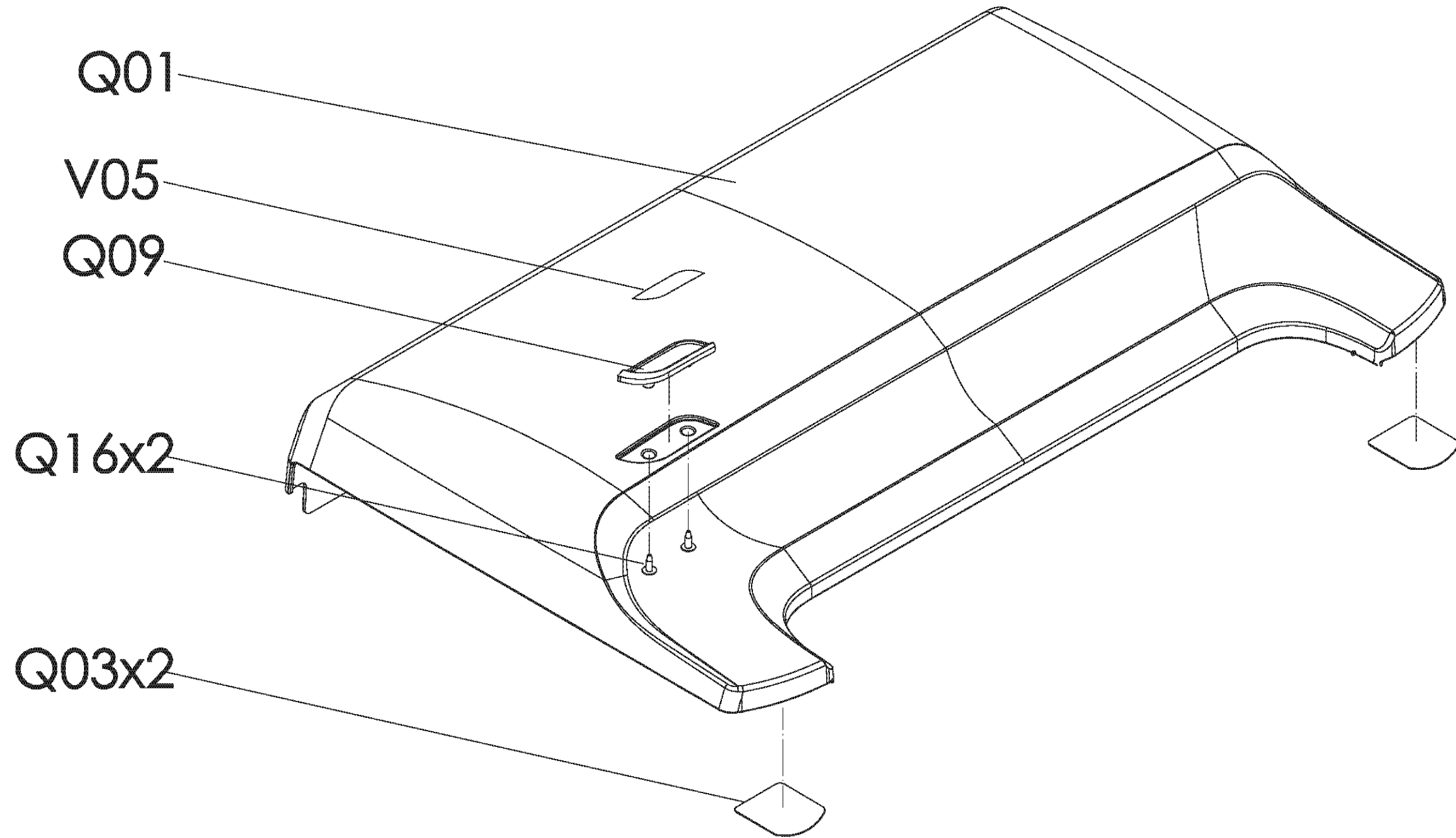
PART NO
1000389377
1000467521



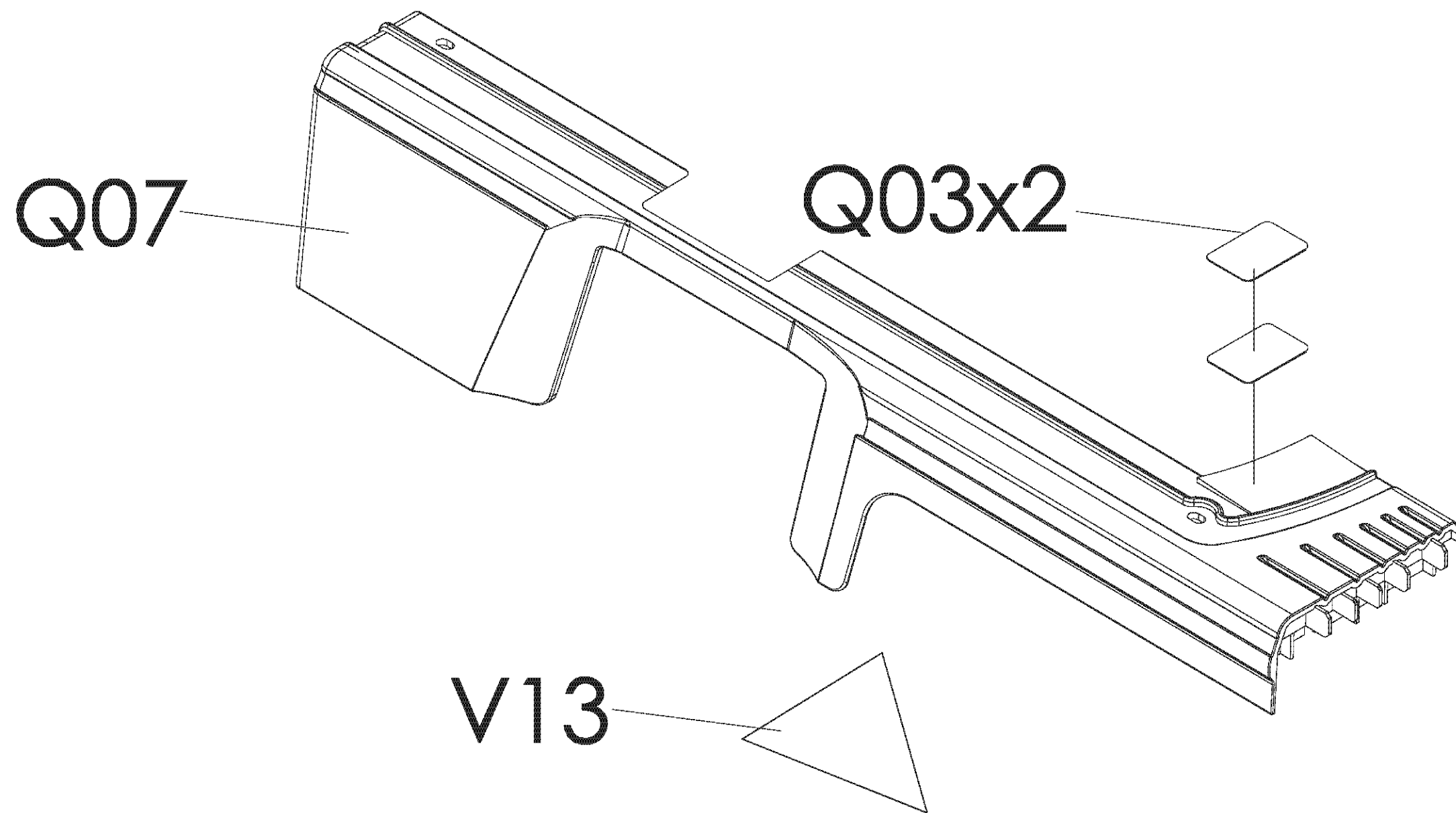
DRAWING NO	TM694-A25		
PART NAME	Arm Rest set		
PART NO	1000394170	REV	A
APPROVE	Xlongjiawei	DATE	2016.9.2



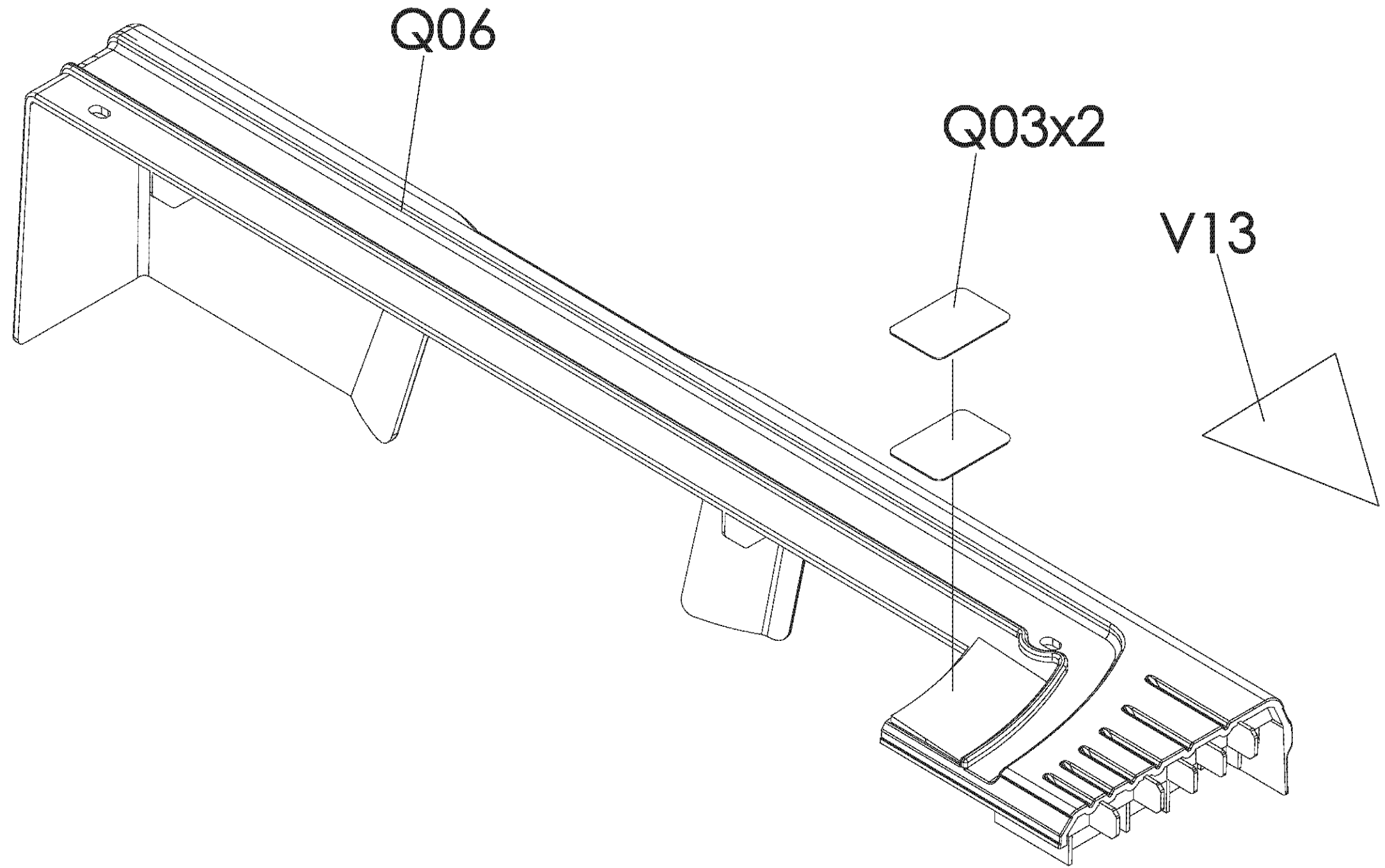
DRAWING NO	TM703-A25		
PART NAME	Motor cover set		
PART NO	1000406255	REV	A
APPROVE	Xiaokaicong	DATE	2017.02.20



DRAWING NO	TM703-A26		
PART NAME	Front cover,L		
PART NO	1000406258	REV	A
APPROVE	Xiaokaicong	DATE	2017.02.20



DRAWING NO	TM703-A27		
PART NAME	Front cover;R		
PART NO	1000406263	REV	A
APPROVE	Xiaokaicong	DATE	2017.02.20



Bubble #	OEM Part Number	Part Description
1	1000387926	Console Base Set;Semi-Assy;;;TM694;;ser
10	1000406263	Cover set;;right;;FRAME;;TM703;SBOM
11	1000389183	Motor set;Semi-Assy;;;TM703-1US;;servic
12	1000389182	Side Rail Set;Semi-Assy;;;TM703;;servic
2	1000467516	Console mast set;Semi-Assy;left;;;TM101
2	1000389671	Console mast set;Semi-Assy;left;;;TM695;
20	1000393906	Overlay Set;console;up;;TM694;;service
21	1000394170	Arm Rest set;;;HR wire;TM694;;service
22	1000389376	Sensor set;Semi-Assy;left;;;TM694;;servi
23	1000389377	Sensor set;Semi-Assy;right;;;TM694;;serv
3	1000467517	Console mast set;Semi-Assy;right;;;TM10
3	1000389672	Console mast set;Semi-Assy;right;;;TM695
6	1000406814	Motor Cover Set;;up;;;TM703B;
7	1000233007	TOPTTEK MCB SET;SEMI-ASS;TM445-1US
7	1000466888	MCB;;;;;;JTM1500 110V MCB
7	1000390921	MCB;Motor;AC;HAPA;V1.001;;Delta
7	1000465035	MCB;;;;;A3-V001;;;AC 1.5KW;110V;VAVE
8	1000389378	Arm Rest Set;Semi-Assy;;;TM694;;service
9	1000406258	Cover set;;left;;FRAME;;TM703;SBOM
AB1	1000408689	Frame set;;;Black2;TM703B;Screen Printin
AB5	0000089488	Elastomer Set;Running Deck;Middle;T5x-02
AB5	1000208940	Extrawork;Elastomer;Running Deck;Nai Ri
AC3	1000355949	Arm Rest;;;PU Foam;;;TM694;
AC7	1000356006	Sensor set;Semi-Assy;up;;;TM694;;
AC7	1000356006	Sensor set;Semi-Assy;up;;;TM694;;
AC8	1000356021	Sensor set;Semi-Assy;left down;;;TM694;;
AC9	1000386038	Sensor set;Semi-Assy;right down;;;TM694;
AH1	1000403187	Elevation Supt Rack Set;;;painting;;Blac

AM01	1000389184	DRIVE MOTOR SET;Semi-Assy;;;3.0HP/230V;;
AN1	1000355839	Console Base Frame Set;;;painting;;;TM69
AQ11	1000406251	END CAP SET;;left;;ASSEMBLY THE SCREW;;T
AQ12	1000406253	END CAP SET;;right;;?????;;TM703;SBOM
AQ22	1000393579	shield set;handlebar;right;;TM694;;servi
AQ31	1000393578	shield set;handlebar;left;;TM694;;servic
AR1	1000386064	Roller Set;Front;Diam.60x678;W/O Texture
AR2	1000404982	Roller Set;Rear;Diam.60.0x660.0;Zinc;;TM
AU0	1000223765	Idler set;Semi-Assy;;;TM445-1US;
B28	000820-E2	Deck Extension;Right
B29	1000404717	Finished treadmill deck;;656x1360x25.4T;
B30	1000372837	Fixing Plate;Frame;L;painting;DM515 matt
B33	1000372840	Fixing Plate;Frame;R;painting;DM515 matt
B34	000763-E	Elastomer;Black 90
B35	1000393329	Screw;Flat Head;M8x1.25Px37L;Machine Thr
B37	004926-00	Nut;Nylon;M8x1.25P
B39	000821-E2	Deck Extension;Left
B43	1000476936	Fixing Plate;Side Rail2;;Zinc Plate;;;TM
B43	1000383201	Fixing Plate;Side Rail2;;SPHC;;WZN;TM694
B45	1000300668	Stopper Fixing Plate,Side Rail,-,paintin
B47	0000089165	Clip Nut;Attached Plate;Elastomer;SPCC;1.6t;Zn Pl
B48	0000095667	Foot Pad Set;Rear;T7000 Pro;TM512-AB6;
B57	004375-AD	SCREW;BH;M5X0.8PX15L;;PH;;BZN;;BP
B58	1000230700	SCREW;TRH;4x15L;SM;PH;CHM;POT;
B59	094924	KSS HC-OR
B60	0000089800	Washer;DSP;6.4X14.0X1.2T;SPHC ;;
B61	020455-00	WASHER;FLT;Diam.6.2XDiam.20.0X1.0T;BZN;
B62	0000084584	Screw;BH;M8X1.25PX20L;;HS;;BAN;;
B63	1000386014	Screw;Socket Head;M6x1.0Px90L-20;;Hex So

B66	028633-A	Screw;Phillip;BH;Tapped;4x15L;;Zn-BL
B70	004620-00	Screw;Self Tapping;4x12L
B71	1000381741	Stopper;;;painting;;Black2;TM703;DM515
C12	001251-F	Rail Lock;Fixing Washer;Side Rail
C12	001251-F	Rail Lock;Fixing Washer;Side Rail
C12	066035-A	FixPiece;Side Rail;TM187-141A-00
C12	066035-A	FixPiece;Side Rail;TM187-141A-00
C15	004425-B	Screw;Phillip;Sink;Tapped;5x15L;
C15	004425-B	Screw;Phillip;Sink;Tapped;5x15L;
C21	1000365666	Pulse CON;;;Middle;;;24AWG;700mm;SM-2Ax2;
C21	1000365666	Pulse CON;;;Middle;;;24AWG;700mm;SM-2Ax2;
C22	1000354823	Pulse CON;;Down;;;2464 24AWG;300mm;110 F
C23	1000368897	Cap;Arm Rest;Inner;SBR;;;TM694;
C24	1000377274	Cap;Arm Rest;;SBR;Q520-7-3;;TM694;
C25	004608-00	Screw;Phillip;BH;Tapped;3x10L
C25	004608-00	Screw;Phillip;BH;Tapped;3x10L
H08	1000402674	SLEEVE;;;Anti-rust oil coating;TM703;Di
H09	1000402676	Screw;Socket Head;M12x1.75Px40L;Machine
H10	1000402675	Bearing;Dry;SF-1;Diam.26mmFxDiam.20mmDxD
H13	020477-A	Washer;Flat;12.5x23.0x2.0T;Black Zinc
H15	004928-00	Nut;Nylon;M12x1.75P
H17	005200-A	Washer;Teflon;18.2X30.0X1.0T
H19	020478-00	Washer;Flat;10.2x20.0x2.0T;Black Zinc
H19	020477-00	Washer;Flat;10.2X20.0X2.0T;Black Zinc
H20	004941-00	Nut;Nylon;M10x1.5P
JM96	1000301975	Warning Label;Motor;,,,,;T80
L01	1000227025	TRANSPORT WHEELS;;;N66;,,,,;
L06	1000214660	Pillar;45;BZN;;
L07	1000099219	Open-Type Pin;R-Type;Nominal diameter3.

M02	1000422215	Elevation Motor Set;Semi-Assy;;;110V;;;
M02	1000410139	Lift Motor;AC;110V;700lbs;;94MM;236MM;6P
M03	1000228217	WIRE;MOTOR GND;;;YELLOW/GREEN;;;340L;(KS
M09	1000303167	Screw Sleeve;Motor;;NYLON PA6;Black;;TM4
M10	004592-00	Screw;Hex;3/8-16UNCx45L/Tooth15L;
M11	1000396097	Filter;;20A;125/250V;BF1103-20A-04(3);;
M11	1000303181	Filter;20A;125/250V;DNF250-T-20A(2);;
M12	004934-00	Nut;Nylon;3/8'-16UNC
M13	005146-A	Washer;Flat;10.5x20x2.0T;Black Zinc
M15	020012-00	SCREW;BH;M4X0.7PX6L;;PH;;BAN;;
M16	004379-00	Screw;Oval Head;M5x0.8Px12L
M16	004379-Z	Screw;Phillip;BH;M5x0.8Px12L;Adhere;
M17	1000300794	Fan;Cooling;12V;0.13A;RDL8025B1;700mm/JS
M18	035695-AB	Screw;BH;M4X0.7PX30L;;PH;;BAN;;
M20	1000416596	Power Resistor;100ohm;300W;Wirewound Alu
M21	1000090442	Screw;BH;4X12L ;SM;PH;G8.8;NKL;;POT
M25	0000084592	WASHER;FLT;?X10.2x?X20x2.0T;SPHC ;BAN;
M26	020104-AD	Screw;Hex Socket;Round;M10x1.5Px30L;Adhe
M27	005010-00	Washer;Spring;10.75x17.2x2.16t
M34	1000466845	Elastomer;Motor;;NR;RED;Rubber;TM747;T=6
M39	1000398324	PLASTIC LINER;Incline Motor;down;;;?10x?
N02	1000385427	Panel Board Cover-Exreawork;console;down
N03	1000355859	Rubber Key;;left;SBR;Q520-7-3;;TM694;
N04	1000355860	Rubber Key;;right;SBR;Q520-7-3;;TM694;
N05	1000355836	Kettle Rack;;left;TPE;Q520-7-3;;TM694;
N06	1000355837	Kettle Rack;;right;TPE;Q520-7-3;;TM694;
N18	1000368950	Space Ring;Console Base Cover;left;SBR;Q
N19	1000368951	Space Ring;Console Base Cover;right;SBR;
N20	004608-00	Screw;Phillip;BH;Tapped;3x10L

N20	004608-00	Screw;Phillip;BH;Tapped;3x10L
N21	004626-00	Screw;Phillip;BH;Tapped;4x10L;BED;
N22	004623-00	Screw;Phillip;BH;Tapped;4x12L;BED;Gap;
N22	004623-00	Screw;Phillip;BH;Tapped;4x12L;BED;Gap;
N43	1000219607	SAFETY KEY SET;TM434-1US
N43	1000219592	SAFETY KEY ASSEMBLY;TM434#
N50	056437-00	Absorptive Plate;Zinc;15x25
N60	1000323591	Console Wire;;UP1;;;800;CKM254301-8P+MX
N61	1000354824	Key Board;;;;;;600mm;Molex70066-05+XHS-4
N62	1000354869	Safe Switch;;;;;;TKP H25J2-03Green;
N63	1000354889	Exchanged Board;Quick Key,Incline;;HAPF;
N64	1000354890	Exchanged Board;Quick Key,Speed;;HAPF;;
N65	1000361185	Pulse;;UP1;Black;;24AWG;850mm;XHS-2Y Yel
N69	094924	KSS HC-OR
P01	1000302764	Power Switch;Double Pole;W/ Light;-;20A;
P02	003347-00	Circuit Breaker;Current;ZE-700 20A/250V;
P03	1000323655	Console Wire Set;;Down;;;1800mm;Molex:7
P04	002127-A	BS Wire;60L;12AWG;Black;TM86;
P05	1000412316	PowerSocket,,150,900,80,250 180?,14AWG,,
P06	1000303184	Ferrite Choke;Snap-Together;32x30x29;;?1
P09	005177-00	Washer;Tooth;5.3X10.0X0.6T;BAN
P10	004889-00	Nut;Hex;M5x0.8P;Nickel
P12	003378-00	Ferrite Core
P16	0000095703	Screw;RND;M3.5X6L;TC;PH;;WZN;ROHS;
P17	020035-AB	Screw;Phillip;BH;M5x0.8Px35L;Ni;Gap;
P17	0000093248	Screw;TRH;M5x0.8Px30L;MT;PS;CST;BOX;F-T
P18	1000216278	Static/Ground Wire;Deck;;;TM639-1US;
P20	1000433131	External Power Wire Set;;;;;14AWG;3M;US
P21	001597-A	GROMMET;NYLON;WHT

P22	1000226831	WIRE;;YL/GREEN;200L;(Diam.5.0 O#X2);14AW
P24	1000370779	SF CON;;;;;12AWG;250L;RVS3-5X2+250??X2;
P25	1000303183	MCB power wire;-;-;12AWG;350+350+500;Mol
Q03	1000381919	Velcro;Motor Cover;50x30mm;;;black;
Q03	1000381919	Velcro;Motor Cover;50x30mm;;;black;
Q05	1000368954	Side Rail;Frame;Left;1432.0L;AL 6063;Ano
Q06	1000368952	Decorate Cover;Frame;right;ABS/PA757;;Bl
Q07	1000368956	Decorate Cover;Frame;left;ABS/PA757;;Bla
Q10	1000379824	Console Mast Cover;;Right-Outer;paintin
Q11	1000379820	Console Mast Cover;;Right Outer;paintin
Q15	028633-A	Screw;Phillip;BH;Tapped;4x15L;;Zn-BL
Q17	1000390768	Cushion;Side Rail;;SBR;;650x23x6.0T;TM70
Q18	1000228690	SCREW;BH;M8X1.25PX30L;;;HS;G12.9;BZN;
Q20	1000354744	Back Cover;Console;down;ABS/PA757;;;CB20
Q21	1000372846	Decorative rail;;Inner;PC;;PQ-137C;TM694
Q22	084404	Screw;BH;Diam.X4x30L;TC;PH;-;BED;POT;-;
Q23	020428-Z	Washer;Flat;5.0x10.0x1.0t;
R02	1000405021	Treadmill Belt;545x3200x2.2T;Black;Diamo
R03	1000340397	Belt;POLY-V;;250-J12;Halftone;GATES
R04	004542-00	SCREW;SH;M10X1.5PX110L;;HS;CRMO;F-T;;
R06	005106-00	Washer;Flat;10.2x20.0x1.5T;Black Zinc
R07	005044-00	Washer;Flat8.3x16x1.3T;Black Zinc
R08	005005-00	Washer;Spring;Lock;8.2x15.4x2.0t
R09	1000105082	Screw;RND;M8x1.25Px40L;-;HS;-;BZN;-;G8.8
U14	1000304308	Spring;Extension;Diam.3.0XDiam.23.5X67L;
U16	004764-00	Screw;Hex Socket;BH;M8x1.25Px25L;Adhere
U17	005045-00	Washer;Flat;8.2x22x3.0T
U18	005238-00	Washer;Lock;8.2x16x1.25T
V10	1000404853	Decal;ETL;;;PETP;;;TM703B;

V13	1000109127	Decal;Pinch Point ;MS21KM-G3
V13	1000109127	Decal;Pinch Point ;MS21KM-G3
V14	1000382189	Warning Label;;;;;;
Z02	005048-00	Washer;Flat;8.2x15.0x1.2T
Z03	005005-00	Washer;Spring;Lock;8.2x15.4x2.0t
Z05	0000093382	Screw;Hex Socket;Round;M8x1.25Px20.0L;Ad
Z06	004462-00	Screw;Round;Hex Socket;M6x1.0Px15L;Chromed
Z06	004462-AF	Screw;Hex Socket;Round;M6x1.0Px15L;BED;A
Z07	004479-00	Screw;Round;Hex Socket;M8X1.25PX15L
Z08	035882-A	SCREW;SH;M8X1.25PX75L-30L ;;HS;;BZN;;P-T
Z09	005048-00	Washer;Flat;8.2x15.0x1.2T
Z10	005005-00	Washer;Spring;Lock;8.2x15.4x2.0t
Z12	020067-00	Screw;Hex Socket;M6x1.0Px30L
Z13	092403	SCREW;RND;M4X0.7PX16L;;PH;;ZN+3WHITE;ROH
Z14	005065-A	Washer (Washer J, Step3, Qty-8)
Not Shown	1000386045	information card;;;English;;TM694;
Not Shown	1000092805	Silicon Oil;40ml
Not Shown	1000380622	Hardware Set;Semi-Assy;;;TM703;;
Not Shown	1000458818	Manual;TM safety direction;;EN/FR/ES;MAT
Not Shown	1000458955	Manual;Assembly;;EN/FR/ES;;TM768
Not Shown	1000459202	Manual;Use Manipulate;;English/French/Sp
Not Shown	1000461844	Manual;Use Manipulate;;EN/FR/ES;XR-03;TM